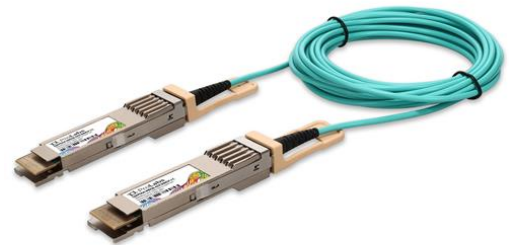


QSFPDD4-400GB-AOC30MLP-J-C

Juniper Networks® Compatible TAA 400GBase-AOC QSFP-DD to QSFP-DD Low Power Active Optical Cable (850nm, MMF, 30m)

Features:

- QSFP-DD MSA HW Rev. 5.0 compliant
- CMIS 4.0 compliant
- 8x26.56GBaud optical links with integrated CDR
- OM3 multi-mode fiber
- CML compatible electrical I/O
- PAM4 & NRZ compatible
- OFNP jacket
- Operating Temperature 0 to 70 Celsius
- Hot pluggable
- RoHS compliant and lead-free



Applications:

- 400GBase Ethernet

Product Description

This is a Juniper Networks® Compatible 400GBase-AOC QSFP28 to QSFP28 active optical cable that operates over active fiber with a maximum reach of 30m. It has been programmed, uniquely serialized, and data-traffic and application tested to ensure it is 100% compliant and functional. We stand behind the quality of our products and proudly offer a limited lifetime warranty. This cable is TAA (Trade Agreements Act) compliant and is built to comply with MSA (Multi-Source Agreement) standards.

ProLabs' transceivers are RoHS compliant and lead-free.

TAA refers to the Trade Agreements Act (19 U.S.C. & 2501-2581), which is intended to foster fair and open international trade. TAA requires that the U.S. Government may acquire only "U.S. – made or designated country end products."



Absolute Maximum Ratings

Parameter	Symbol	Min.	Typ.	Max.	Unit	Notes
Storage Ambient Temperature	Tstg	-40		85	°C	
Operating Case Temperature	Tc	0	25	70	°C	1
Module Supply Voltage	Vcc	3.14	3.3	3.46	V	
Module Supply Voltage	Vcc	-0.5		3.6	V	
Single Module Supply Current	I _{IN}		2100		mA	
Relative Humidity – Storage	RH _{stg}	0		95	%	2
Relative Humidity – Operating	RH _{op}	0		85	%	2
Signaling Speed Per Channel	S		26.56		GBaud	

Notes:

1. Commercial temperature range.
2. RH is a non-condensing condition.
3. Exceeding the Absolute Maximum Ratings may cause irreversible damage to the device. The device is not intended to be operated under the conditions of simultaneous Absolute Maximum Ratings, a condition which may cause irreversible damage to the device.

Cable Specifications

Parameter	Value	Unit
Cable Diameter	3.0 ± 0.15	mm
Minimum Bend Radius	30	mm

Electrical Characteristics

Parameter	Symbol	Min.	Typ.	Max.	Unit	Notes
Transmitter						
Tx_Data Differential Input Voltage	V _{IN}	400		900	mV	
Tx_Data Differential Input Impedance	Z _{IN}		100		Ω	
Receiver						
Rx_Data Differential Output Voltage	V _{OUT}			900	mV	
Rx_Data Differential Output Impedance	Z _{OUT}	90	100	110	Ω	
Link BER	BER			2.4E ⁻⁴		1

Notes:

1. Better than 2.4E⁻⁴ @26.56GBaud PRBS31.

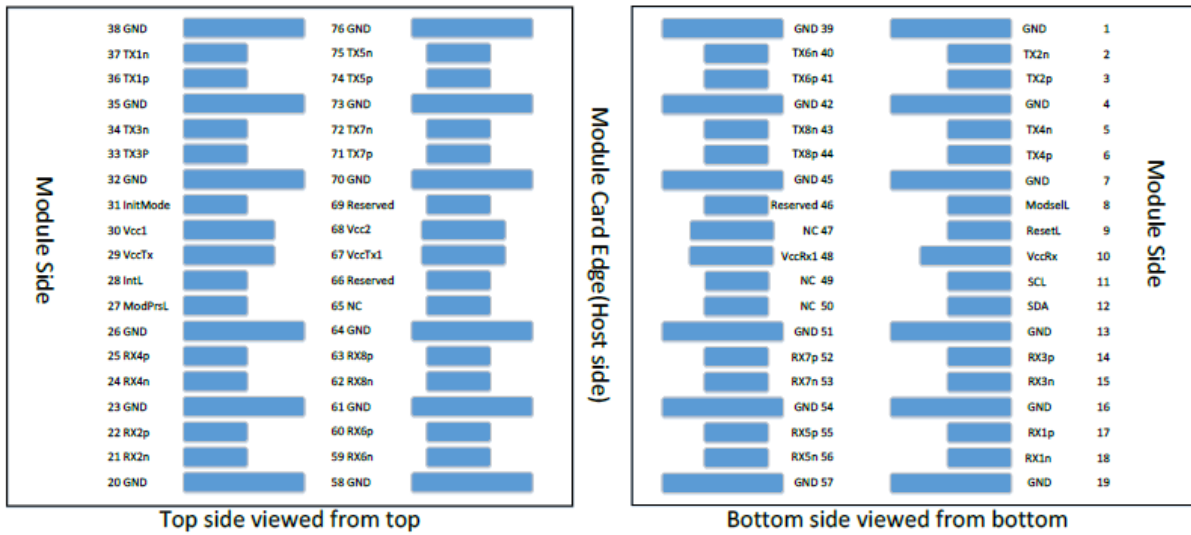
Pin Descriptions

Pin	Symbol	Name/Description
1	GND	Module Ground.
2	Tx2-	Transmitter Inverted Data Input.
3	Tx2+	Transmitter Non-Inverted Data Input.
4	GND	Module Ground.
5	Tx4-	Transmitter Inverted Data Input.
6	Tx4+	Transmitter Non-Inverted Data Input.
7	GND	Module Ground.
8	ModSelL	Module Select.
9	ResetL	Module Reset.
10	VccRx	+3.3V Receiver DC Power Supply.
11	SCL	I ² C Serial Clock.
12	SDA	I ² C Serial Data.
13	GND	Module Ground.
14	Rx3+	Receiver Non-Inverted Differential Output.
15	Rx3-	Receiver Inverted Differential Output.
16	GND	Module Ground.
17	Rx1+	Receiver Non-Inverted Differential Output.
18	Rx1-	Receiver Inverted Differential Output.
19	GND	Module Ground.
20	GND	Module Ground.
21	Rx2-	Receiver Inverted Differential Output.
22	Rx2+	Receiver Non-Inverted Differential Output.
23	GND	Module Ground.
24	Rx4-	Receiver Inverted Differential Output.
25	Rx4+	Receiver Non-Inverted Differential Output.
26	GND	Module Ground.
27	ModPrsL	Module Present.
28	IntL	Interrupt.
29	VccTx	+3.3V Transmitter DC Power Supply.
30	Vcc1	+3.3V DC Power Supply.
31	Init Mode	Initialization Mode.
32	GND	Module Ground.
33	Tx3+	Transmitter Non-Inverted Data Input.
34	Tx3-	Transmitter Inverted Data Input.

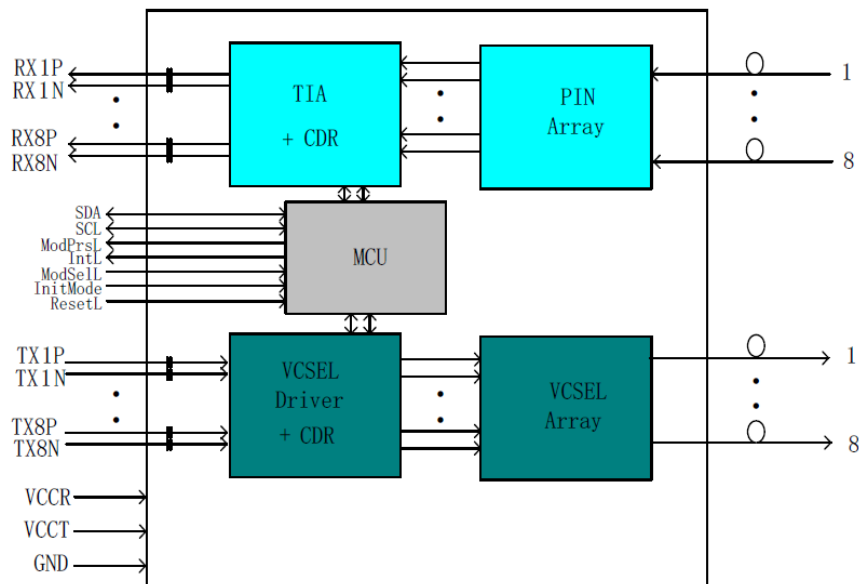
35	GND	Module Ground.
36	Tx1+	Transmitter Non-Inverted Data Input.
37	Tx1-	Transmitter Inverted Data Input.
38	GND	Module Ground.
39	GND	Module Ground.
40	Tx6-	Transmitter Inverted Data Input.
41	Tx6+	Transmitter Non-Inverted Data Input.
42	GND	Module Ground.
43	Tx8-	Transmitter Inverted Data Input.
44	Tx8+	Transmitter Non-Inverted Data Input.
45	GND	Module Ground.
46	Reserved.	Not Connected.
47	NC	Not Connected.
48	VccRx1	+3.3V DC Power Supply.
49	NC	Not Connected.
50	NC	Not Connected.
51	GND	Module Ground.
52	Rx7+	Receiver Non-Inverted Differential Output.
53	Rx7-	Receiver Inverted Differential Output.
54	GND	Module Ground.
55	Rx5+	Receiver Non-Inverted Differential Output.
56	Rx5-	Receiver Inverted Differential Output.
57	GND	Module Ground.
58	GND	Module Ground.
59	Rx6-	Receiver Inverted Differential Output.
60	Rx6+	Receiver Non-Inverted Differential Output.
61	GND	Module Ground.
62	Rx8-	Receiver Inverted Differential Output.
63	Rx8+	Receiver Non-Inverted Differential Output.
64	GND	Module Ground.
65	NC	Not Connected.
66	Reserved.	Not Connected.
67	VccTx1	+3.3V DC Power Supply.
68	Vcc2	+3.3V DC Power Supply.
69	Reserved	Not Connected.
70	GND	Module Ground.

71	Tx7+	Transmitter Non-Inverted Data Input.
72	Tx7-	Transmitter Inverted Data Input.
73	GND	Module Ground.
74	Tx5+	Transmitter Non-Inverted Data Input.
75	Tx5-	Transmitter Inverted Data Input.
76	GND	Module Ground.

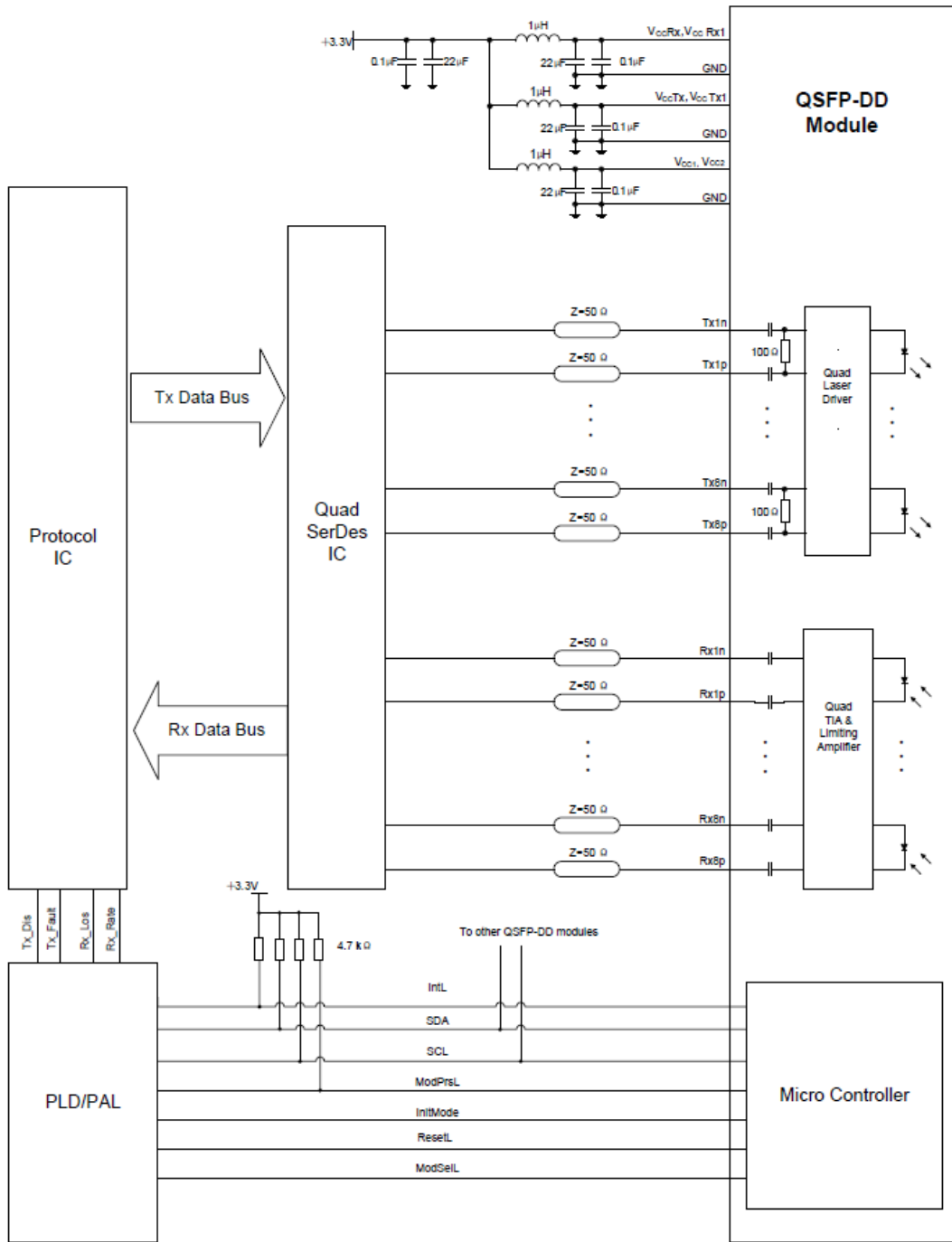
Electrical Pin-Out Details



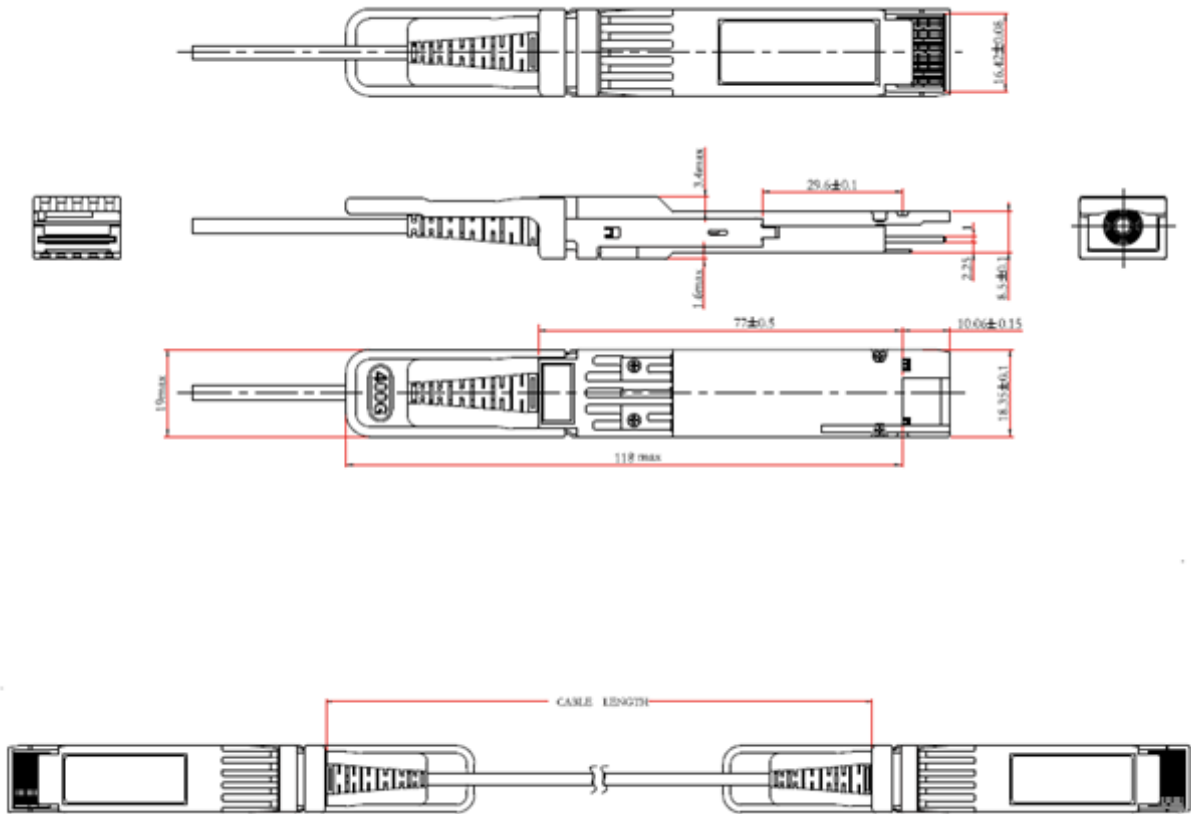
Block Diagram



Electrical Interface



Mechanical Specifications



Notes:

1. Tolerance $\pm 0.1 \text{ mm}$.
2. Others according with QSFP-DD MSA or customer specifications.
3. Light Port according with fiber connector specifications.
4. For cable lengths greater than 5m, the cable length tolerance is $+4\%/-0\%$.

About ProLabs

Our experience comes as standard; for over 15 years ProLabs has delivered optical connectivity solutions that give our customers freedom and choice through our ability to provide seamless interoperability. At the heart of our company is the ability to provide state-of-the-art optical transport and connectivity solutions that are compatible with over 90 optical switching and transport platforms.

Complete Portfolio of Network Solutions

ProLabs is focused on innovations in optical transport and connectivity. The combination of our knowledge of optics and networking equipment enables ProLabs to be your single source for optical transport and connectivity solutions from 100Mb to 400G while providing innovative solutions that increase network efficiency. We provide the optical connectivity expertise that is compatible with and enhances your switching and transport equipment.

Trusted Partner

Customer service is our number one value. ProLabs has invested in people, labs and manufacturing capacity to ensure that you get immediate answers to your questions and compatible product when needed. With Engineering and Manufacturing offices in the U.K. and U.S. augmented by field offices throughout the U.S., U.K. and Asia, ProLabs is able to be our customers best advocate 24 hours a day.



Contact Information

ProLabs US

Email: sales@prolabs.com

Telephone: 952-852-0252

ProLabs UK

Email: salessupport@prolabs.com

Telephone: +44 1285 719 600